



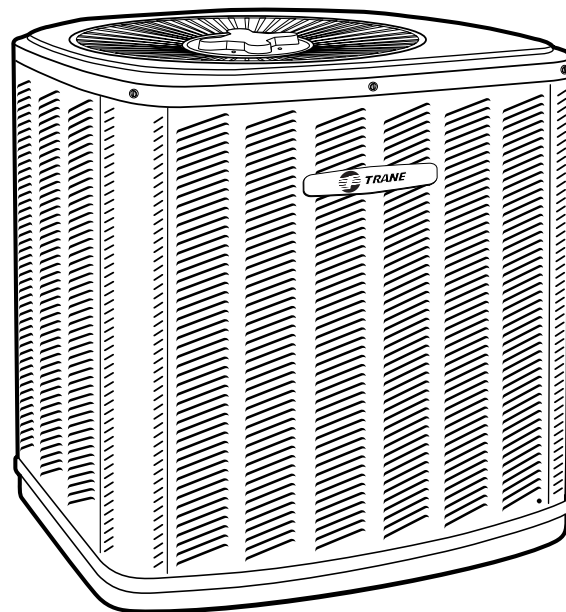
TRANE®

SS-PRC012-EN

Split System Cooling Product & Performance Data

XB10
2TTB0030-060A

2½ – 5 Tons



PUB. NO. 22-1739-01-0402 (EN)



General Features

Split System Cooling Units . . . The Evolution Continues

2TTB0 split systems represent a product that is not only an engineer's dream, it's also a customer's dream. The design team's mission and accomplishment is enhanced performance and efficiency, improved reliability and durability, and improved installability and serviceability.

Trane's experienced design team applied "six sigma principles", the latest computer

technology and customer research to develop the next generation of leadership products.

Couple the Trane reputation for reliability and durability with the above mentioned mission and accomplishments and you continue to have systems that prove "It's Hard to Stop a Trane.®"

Contents

General Features	2
Features and Benefits	4
Optional Equipment	5
Low Outdoor Ambient Cooling	5
A.R.I. Standard Capacity Rating Conditions	5
Selection Procedure	6
Model Number Nomenclature	6
General Data	7
2TTB0030A1000A	7
2TTB0036A1000A	9
2TTB0042A1000A	11
2TTB0048A1000A	13
2TTB0060A1000A	15
Ratings with Auxiliary Devices	17
Performance Data Cooling	18
2TTB0030A1	18
2TTB0036A1	19
2TTB0042A1	20
2TTB0048A1	21
2TTB0060A1	22
Electrical Data	23
Dimensions	25
Mechanical Specification Options	26



Features and Benefits

- **Climatuff**® compressor
- All aluminum **Spine Fin**™ coil
- **DuraTuff**™ base, fast complete drain, weather proof
- New cabinet with anthracite base and polystate gray cabinet
- **Quick-Sess**™ cabinet, service access and refrigerant connections with full coil protection
- Corrosion resistant finish and fasteners
- High/low pressure & temperature protection
- Liquid line filter-drier
- Easy single side service
- Multi-use liquid and suction line service valves
- Easy top & fan removal
- Full length control cover
- **Sure Fast**™ seams louver panel removal
- HCFC-22 refrigerant
- **5-year limited warranty on compressor, coil, and 5 years on parts (Residential use)**
- **Extended warranties available**
- S.E.E.T. design testing
- 100% line run test
- Low ambient cooling to 55°F as shipped
- Low ambient to 40°F with EDC accessory AY28X079
- Low ambient cooling to 30°F with EDC accessory AY28X079 and TXV



Features and Benefits

Optional Equipment

OPTIONAL EQUIPMENT FOR CONDENSING UNITS (Check mark [✓] indicates accessories included).

Indoor Thermostats — Electronic Setback	TAYSTAT300C []
Electronic, 1 Htg. (Gas)/1 Clg. (Non Prog.)	TAYSTAT370 []
Electronic, 1 Htg. (Elec.)/ 1 Clg. (Non Prog.) ^②	TAYSTAT371 []
Heating/Cooling — Horizontal	AY28X092 []
Cooling Only with Fan Switch	BAYSTAT304 []
Heating/Cooling — Vertical	BAYSTAT305 []
Thermostat Locking Cover	BAY28X190 []
Outdoor Thermostats 46°F. to -10°F. (Adjustable)	TAYSTAT250B []
Evaporator Defrost Control	AY28X079 []
Indoor Fan Delay Relay Kit	BAY24X045 []
Quick-Start Kit (2TTB0030-060A)	BAYKSKT257 []
5 Minute Delay Relay ^①	TAYASCT501A []
Outdoor Temperature Sensor .. (TAYSTAT300C)	TAYSENS100A []
Extreme Conditions Kit	BAYECMT001 []
Seacoast Kit	BAYSEAC001 []

^① Not used with programmable thermostats

^② Specifically designed for electric heat applications (instant on fan)

BRAZED TUBING REFRIGERANT LINE SETS (All Suction Lines are Insulated.)

3/4" ODM (90° bend, one end), 3/4" & 5/16" tubing	TAYREFLN2_* []
7/8" ODM (90° bend, one end), 7/8" & 3/8" tubing	TAYREFLN3_* []
1-1/8" ODM (90° bend, one end), 1-1/8" & 3/8" tubing	TAYREFLN4_* []

* Line lengths: 15, 20, 25, 30, 40 & 50 ft. Insert desired line length in catalog number at right for the complete number.

Example: TAYREFLN220

Low Outdoor Ambient Cooling

Low Ambient Cooling	As Manufactured	Evaporator Defrost Control
FCCV Accutron™	55°F	40°F
Thermal Expansion Valve (TXV)	55°F	30°F

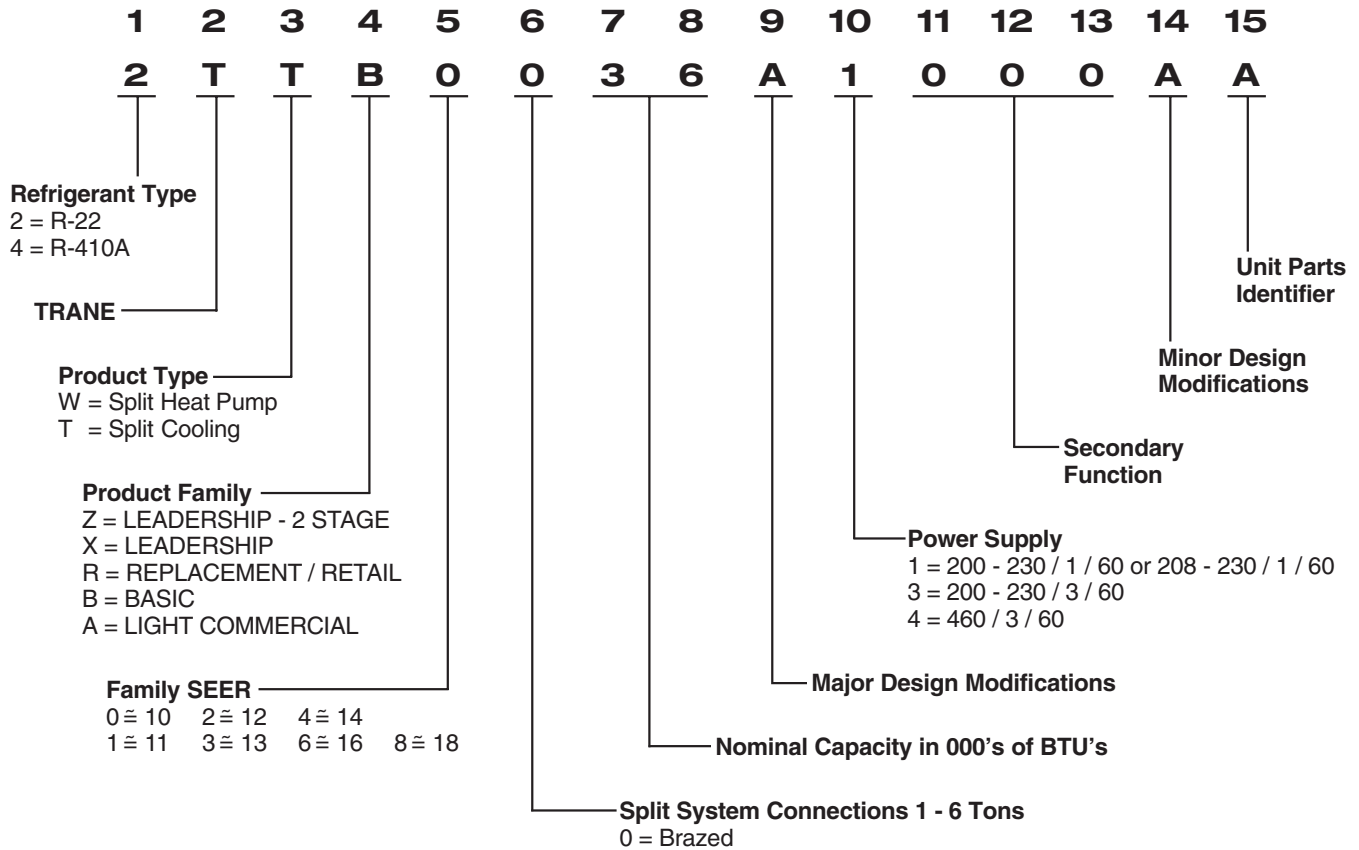
A.R.I. Standard Capacity Rating Conditions

A.R.I. STANDARD 210/240 RATING CONDITIONS — (A) Cooling 80°F. D.B., 67°F. W.B. air entering indoor coil, 95°F. D.B. air entering outdoor coil.



Selection Procedure

Model Number Nomenclature



General Data

2TTB0030A1000A

OUTDOOR UNIT ^{①②}	2TTB0030A1000A
SOUND RATING (DECIBELS) ^{②④}	81
POWER CONNS. — V/PH/Hz ^③	200/230/1/60
MIN. BRCH. CIR. AMPACITY	17
BR. CIR. } MAX. (AMPS)	30
PROT. RTG. } MIN. (AMPS)	30
COMPRESSOR	CLIMATUFF®
NO. USED - NO. SPEEDS	1 - 1
VOLTS/PH/Hz	200/230/1/60
R.L. AMPS ^⑦ - L.R. AMPS	13.2 - 70.5
FACTORY INSTALLED	
START COMPONENTS ^⑧	NO
INSULATION/SOUND BLANKET	NO
COMPRESSOR HEAT	NO
OUTDOOR FAN — TYPE	PROPELLER
DIA. (IN.) - NO. USED	19 - 1
TYPE DRIVE - NO. SPEEDS	DIRECT - 1
CFM @ 0.0 IN. W.G. ^④	2175
NO. MOTORS - HP.	1 - 1/8
MOTOR SPEED R.P.M.	1075
VOLTS/PH/Hz	200/230/1/60
F.L. AMPS	0.9
OUTDOOR COIL — TYPE	SPINE FIN™
ROWS - F.P.I.	1 - 24
FACE AREA (SQ. FT.)	9.72
TUBE SIZE (IN.)	3/8
REFRIGERANT	R-22
(O.D. UNIT) NP CHR.G. ^⑤	4/00-LB/OZ
FACTORY SUPPLIED	YES
LINE SIZE - IN. O.D. GAS ^⑥	3/4
LINE SIZE - IN. O.D. LIQ. ^⑥	5/16
FCCV	
RESTRICTOR ORIFICE SIZE	0.065
DIMENSIONS	H X W X D
OUTDOOR UNIT CRATED (IN.)	30.1 X 26.7 X 30.2
UNCRATED	SEE OUTLINE DWG.
WEIGHT	
SHIPPING (LBS.)	169
NET (LBS.)	150

- ① CERTIFIED IN ACCORDANCE WITH THE UNITARY AIR-CONDITIONER EQUIPMENT CERTIFICATION PROGRAM WHICH IS BASED ON A.R.I. STANDARD 210/240.
- ② RATED IN ACCORDANCE WITH A.R.I. STANDARD 270.
- ③ CALCULATED IN ACCORDANCE WITH NATIONAL ELECTRIC CODE. ONLY USE HACR CIRCUIT BREAKERS OR FUSES.
- ④ STANDARD AIR - DRY COIL - OUTDOOR
- ⑤ THIS VALUE APPROXIMATE. FOR MORE PRECISE VALUE SEE UNIT NAMEPLATE AND SERVICE INSTRUCTION.
- ⑥ MAX. LINEAR LENGTH: 80 FT WITH RECIPROCATING COMPRESSOR - 60 FT WITH SCROLL. MAX. LIFT - SUCTION 60 FT; MAX LIFT - LIQUID 60 FT. FOR GREATER LENGTH REFER TO REFRIGERANT PIPING SOFTWARE PUB. NO. 32-3312-01.
- ⑦ THE VALUE SHOWN FOR COMPRESSOR RLA ON THE UNIT NAMEPLATE AND ON THIS SPECIFICATION SHEET IS USED TO COMPUTE MINIMUM BRANCH CIRCUIT AMPACITY AND MAXIMUM FUSE SIZE. THE VALUE SHOWN IS THE BRANCH CIRCUIT SELECTION CURRENT.
- ⑧ NO MEANS NO START COMPONENTS
YES MEANS QUICK START KIT COMPONENTS
PTC MEANS POSITIVE TEMPERATURE COEFFICIENT STARTER.
- ⑨ RATED IN ACCORDANCE WITH ARI STANDARD 270/SECTION 5.3.6.



SPLIT SYSTEM



CONDENSING UNIT WITH COOLING COILS

	CCBA30A4AC	CCBB30A4AC	CUBA30A4AC	CUBB30A4AC	TXA030C4	TXA031C4	TXA035C4
EXPANSION TYPE	FIXED ORIFICE	FIXED ORIFICE	FIXED ORIFICE	FIXED ORIFICE	CHG TO 65	CHG TO 65	CHG TO 65
RATINGS (COOLING) ^①							
BTUH (TOTAL)	27600	29000	27600	29000	29000	29000	29400
BTUH (SENSIBLE)	19800	21300	19800	21300	21100	21200	22000
INDOOR AIRFLOW (CFM)	950	1000	950	1000	1000	1000	1100
SYSTEM POWER (KW)	3.07	3.15	3.07	3.15	3.15	3.14	3.21
EER/SEER (BTU/WATT-HR.)	9.00/10.00	9.20/10.00	9.00/10.00	9.20/10.00	9.20/10.00	9.25/10.00	9.15/10.00
	TXA036C4	TXC030C4	TXC030D4	TXC031C4	TXC031D4	TXC031E5	TXC035C4
EXPANSION TYPE	CHG TO 65	CHG TO 65	CHG TO 65	CHG TO 65	CHG TO 65	TXV-NB	CHG TO 65
RATINGS (COOLING) ^①							
BTUH (TOTAL)	30200	29000	29000	29000	29000	30000	29400
BTUH (SENSIBLE)	22800	21100	21100	21200	21200	22000	22000
INDOOR AIRFLOW (CFM)	1125	1000	1000	1000	1000	1000	1100
SYSTEM POWER (KW)	3.25	3.15	3.15	3.14	3.14	3.17	3.21
EER/SEER (BTU/WATT-HR.)	9.30/10.00	9.20/10.00	9.20/10.00	9.25/10.00	9.25/10.00	9.45/10.50	9.15/10.00
	TXC035D4	TXC036C4	TXC036D4	TXC036E5	TXC037E5	TXH025A4	TXH033A4
EXPANSION TYPE	CHG TO 65	CHG TO 65	CHG TO 65	TXV-NB	TXV-NB	CHG TO 65	CHG TO 65
RATINGS (COOLING) ^①							
BTUH (TOTAL)	29400	30200	30200	31200	31200	27800	29200
BTUH (SENSIBLE)	22000	22800	22800	23800	23900	19500	22000
INDOOR AIRFLOW (CFM)	1100	1125	1125	1125	1125	900	1000
SYSTEM POWER (KW)	3.21	3.25	3.25	3.28	3.28	3.05	3.16
EER/SEER (BTU/WATT-HR.)	9.15/10.00	9.30/10.00	9.30/10.00	9.50/10.50	9.50/10.50	9.10/10.00	9.25/10.00



General Data

2TTB0030A1000A

CONDENSING UNIT WITH AIR HANDLERS

	TVF030A14	TVF036A14	TWE030C14	TWE030P13	TWE036C14	TWE036P13	TWG030A14
EXPANSION TYPE	CHG TO 65	CHG TO 65	CHG TO 65	TXV-NB	CHG TO 65	TXV-NB	CHG TO 65
RATINGS (COOLING) ①							
BTUH (TOTAL)	30000	31000	28600	29400	30200	30000	28800
BTUH (SENSIBLE)	22400	24000	20500	21300	23300	22800	21300
INDOOR AIRFLOW (CFM)	1000	1125	945	940	1125	1125	1000
SYSTEM POWER (KW)	3.16	3.32	3.08	3.08	3.25	3.23	3.11
EER/SEER (BTU/WATT-HR.)	9.50/10.00	9.35/10.00	9.30/10.00	9.55/10.50	9.30/10.00	9.30/10.50	9.25/10.00

	TWG036A14	TWG037A14
EXPANSION TYPE	CHG TO 65	CHG TO 65
RATINGS (COOLING) ①		
BTUH (TOTAL)	29800	29800
BTUH (SENSIBLE)	23000	23000
INDOOR AIRFLOW (CFM)	1115	1115
SYSTEM POWER (KW)	3.20	3.20
EER/SEER (BTU/WATT-HR.)	9.30/10.00	9.30/10.00

General Data

2TTB0036A1000A

OUTDOOR UNIT ①②	2TTB0036A1000A
SOUND RATING (DECIBELS) ②③	80
POWER CONNS. — V/PH/Hz ③	200/230/1/60
MIN. BRCH. CIR. AMPACITY	20
BR. CIR. } MAX. (AMPS)	35
PROT. RTG. } MIN. (AMPS)	30
COMPRESSOR	CLIMATUFF®
NO. USED - NO. SPEEDS	1 - 1
VOLTS/PH/Hz	200/230/1/60
R.L. AMPS ⑦ - L.R. AMPS	15.3 - 86.5
FACTORY INSTALLED	
START COMPONENTS ⑧	NO
INSULATION/SOUND BLANKET	NO
COMPRESSOR HEAT	NO
OUTDOOR FAN — TYPE	PROPELLER
DIA. (IN.) - NO. USED	19 - 1
TYPE DRIVE - NO. SPEEDS	DIRECT - 1
CFM @ 0.0 IN. W.G. ④	2175
NO. MOTORS - HP	1 - 1/8
MOTOR SPEED R.P.M.	1075
VOLTS/PH/Hz	200/230/1/60
F.L. AMPS	0.9
OUTDOOR COIL — TYPE	SPINE FIN™
ROWS - F.P.I.	1 - 24
FACE AREA (SQ. FT.)	9.72
TUBE SIZE (IN.)	3/8
REFRIGERANT	R-22
(O.D. UNIT) NP CHR.G. ⑤	4/12-LB/OZ
FACTORY SUPPLIED	YES
LINE SIZE - IN. O.D. GAS ⑥	7/8
LINE SIZE - IN. O.D. LIQ. ⑥	3/8
FCCV	
RESTRICTOR ORIFICE SIZE	0.071
DIMENSIONS	H X W X D
OUTDOOR UNIT CRATED (IN.)	30.1 X 26.7 X 30.2
UNCRATED	SEE OUTLINE DWG.
WEIGHT	
SHIPPING (LBS.)	175
NET (LBS.)	156

- ① CERTIFIED IN ACCORDANCE WITH THE UNITARY AIR-CONDITIONER EQUIPMENT CERTIFICATION PROGRAM WHICH IS BASED ON A.R.I. STANDARD 210/240.
- ② RATED IN ACCORDANCE WITH A.R.I. STANDARD 270.
- ③ CALCULATED IN ACCORDANCE WITH NATIONAL ELECTRIC CODE. ONLY USE HACR CIRCUIT BREAKERS OR FUSES.
- ④ STANDARD AIR - DRY COIL - OUTDOOR
- ⑤ THIS VALUE APPROXIMATE. FOR MORE PRECISE VALUE SEE UNIT NAMEPLATE AND SERVICE INSTRUCTION.
- ⑥ MAX. LINEAR LENGTH: 80 FT WITH RECIPROCATING COMPRESSOR - 60 FT WITH SCROLL. MAX. LIFT - SUCTION 60 FT; MAX LIFT - LIQUID 60 FT. FOR GREATER LENGTH REFER TO REFRIGERANT PIPING SOFTWARE PUB. NO. 32-3312-01.
- ⑦ THE VALUE SHOWN FOR COMPRESSOR RLA ON THE UNIT NAMEPLATE AND ON THIS SPECIFICATION SHEET IS USED TO COMPUTE MINIMUM BRANCH CIRCUIT AMPACITY AND MAXIMUM FUSE SIZE. THE VALUE SHOWN IS THE BRANCH CIRCUIT SELECTION CURRENT.
- ⑧ NO MEANS NO START COMPONENTS
YES MEANS QUICK START KIT COMPONENTS
PTC MEANS POSITIVE TEMPERATURE COEFFICIENT STARTER.
- ⑨ RATED IN ACCORDANCE WITH ARI STANDARD 270/SECTION 5.3.6.



SPLIT SYSTEM



CONDENSING UNIT WITH COOLING COILS

	CCBA36A4AC	CCBB36A4AC	CUBA36A4AC	CUBB36A4AC	CUBC36A4AC	TXA035C4	TXA036C4
EXPANSION TYPE	FIXED ORIFICE	FIXED ORIFICE	FIXED ORIFICE	FIXED ORIFICE	FIXED ORIFICE	FACT INS 71	FACT INS 71
RATINGS (COOLING) ①							
BTUH (TOTAL)	32000	32200	32000	32200	32200	32000	33600
BTUH (SENSIBLE)	23200	23400	23200	23400	23400	23100	25000
INDOOR AIRFLOW (CFM)	1100	1100	1100	1100	1100	1100	1200
SYSTEM POWER (KW)	3.52	3.52	3.52	3.52	3.52	3.52	3.69
EER/SEER (BTU/WATT-HR.)	9.10/10.00	9.15/10.00	9.10/10.00	9.15/10.00	9.15/10.00	9.10/10.00	9.10/10.00

	TXA037C4	TXA042C4	TXA043C4	TXC035C4	TXC035D4	TXC036C4	TXC036D4
EXPANSION TYPE	FACT INS 71	CHG TO 71	CHG TO 71	FACT INS 71	FACT INS 71	FACT INS 71	FACT INS 71
RATINGS (COOLING) ①							
BTUH (TOTAL)	33600	33800	34200	32000	32000	33600	33600
BTUH (SENSIBLE)	25000	25100	26500	23100	23100	25000	25000
INDOOR AIRFLOW (CFM)	1200	1200	1280	1100	1100	1200	1200
SYSTEM POWER (KW)	3.69	3.63	3.72	3.52	3.52	3.63	3.69
EER/SEER (BTU/WATT-HR.)	9.10/10.00	9.30/10.00	9.20/10.00	9.10/10.00	9.10/10.00	9.25/10.00	9.10/10.00

	TXC036E5	TXC037C4	TXC037E5	TXC042C4	TXC043C4	TXH033A4	TXH041A4
EXPANSION TYPE	TXV-NB	FACT INS 71	TXV-NB	CHG TO 71	CHG TO 71	CHG TO 71	CHG TO 71
RATINGS (COOLING) ①							
BTUH (TOTAL)	34600	33600	34600	33800	34200	32200	34800
BTUH (SENSIBLE)	25900	25000	26000	25100	26500	24400	27500
INDOOR AIRFLOW (CFM)	1200	1200	1200	1200	1280	1125	1305
SYSTEM POWER (KW)	3.66	3.69	3.66	3.63	3.72	3.54	3.74
EER/SEER (BTU/WATT-HR.)	9.45/10.50	9.10/10.00	9.45/10.50	9.30/10.00	9.20/10.00	9.10/10.00	9.30/10.00



General Data

2TTB0036A1000A

CONDENSING UNIT WITH AIR HANDLERS

	TVF036A14	TWE036C14	TWE036P13	TWE042C14	TWE042P13	TWG036A14	TWG037A14
EXPANSION TYPE	FACT INS 71	FACT INS 71	TXV-NB	CHG TO 71	TXV-NB	FACT INS 71	FACT INS 71
RATINGS (COOLING) ①							
BTUH (TOTAL)	34000	33200	33600	34200	34800	32400	32800
BTUH (SENSIBLE)	25900	25100	25000	27000	27400	24200	24900
INDOOR AIRFLOW (CFM)	1200	1200	1200	1280	1305	1150	1200
SYSTEM POWER (KW)	3.68	3.61	3.61	3.72	3.74	3.62	3.55
EER/SEER (BTU/WATT-HR.)	9.25/10.00	9.20/10.00	9.30/10.50	9.20/10.00	9.30/10.50	8.95/10.00	9.25/10.00

	TWG042A14
EXPANSION TYPE	CHG TO 71
RATINGS (COOLING) ①	
BTUH (TOTAL)	33000
BTUH (SENSIBLE)	25400
INDOOR AIRFLOW (CFM)	1235
SYSTEM POWER (KW)	3.61
EER/SEER (BTU/WATT-HR.)	9.15/10.00



General Data

2TTB0042A1000A

OUTDOOR UNIT ①②	2TTB0042A1000A
SOUND RATING (DECIBELS) ②④	81
POWER CONNS. — V/PH/Hz ③	200/230/1/60
MIN. BRCH. CIR. AMPACITY	23
BR. CIR. } MAX. (AMPS)	40
PROT. RTG. } MIN. (AMPS)	40
COMPRESSOR	CLIMATUFF®
NO. USED - NO. SPEEDS	1 - 1
VOLTS/PH/Hz	200/230/1/60
R.L. AMPS ⑦ - L.R. AMPS	17.5 - 92
FACTORY INSTALLED	
START COMPONENTS ⑧	NO
INSULATION/SOUND BLANKET	NO
COMPRESSOR HEAT	NO
OUTDOOR FAN — TYPE	PROPELLER
DIA. (IN.) - NO. USED	19 - 1
TYPE DRIVE - NO. SPEEDS	DIRECT - 1
CFM @ 0.0 IN. W.G. ④	2500
NO. MOTORS - HP.	1 - 1/4
MOTOR SPEED R.P.M.	1075
VOLTS/PH/Hz	200/230/1/60
F.L. AMPS	1.3
OUTDOOR COIL — TYPE	SPINE FIN™
ROWS - F.P.I.	1 - 24
FACE AREA (SQ. FT.)	11.32
TUBE SIZE (IN.)	3/8
REFRIGERANT	R-22
(O.D. UNIT) NP CHR.G. ⑤	5/15-LB/OZ
FACTORY SUPPLIED	YES
LINE SIZE - IN. O.D. GAS ⑥	7/8
LINE SIZE - IN. O.D. LIQ. ⑥	3/8
FCCV	
RESTRICTOR ORIFICE SIZE	0.075
DIMENSIONS	H X W X D
OUTDOOR UNIT CRATED (IN.)	33.2 X 26.7 X 30.2
UNCRATED	SEE OUTLINE DWG.
WEIGHT	
SHIPPING (LBS.)	208
NET (LBS.)	188

- ① CERTIFIED IN ACCORDANCE WITH THE UNITARY AIR-CONDITIONER EQUIPMENT CERTIFICATION PROGRAM WHICH IS BASED ON A.R.I. STANDARD 210/240.
- ② RATED IN ACCORDANCE WITH A.R.I. STANDARD 270.
- ③ CALCULATED IN ACCORDANCE WITH NATIONAL ELECTRIC CODE. ONLY USE HACR CIRCUIT BREAKERS OR FUSES.
- ④ STANDARD AIR - DRY COIL - OUTDOOR
- ⑤ THIS VALUE APPROXIMATE. FOR MORE PRECISE VALUE SEE UNIT NAMEPLATE AND SERVICE INSTRUCTION.
- ⑥ MAX. LINEAR LENGTH: 80 FT WITH RECIPROCATING COMPRESSOR - 60 FT WITH SCROLL. MAX. LIFT - SUCTION 60 FT; MAX LIFT - LIQUID 60 FT. FOR GREATER LENGTH REFER TO REFRIGERANT PIPING SOFTWARE PUB. NO. 32-3312-01.
- ⑦ THE VALUE SHOWN FOR COMPRESSOR RLA ON THE UNIT NAMEPLATE AND ON THIS SPECIFICATION SHEET IS USED TO COMPUTE MINIMUM BRANCH CIRCUIT AMPACITY AND MAXIMUM FUSE SIZE. THE VALUE SHOWN IS THE BRANCH CIRCUIT SELECTION CURRENT.
- ⑧ NO MEANS NO START COMPONENTS
YES MEANS QUICK START KIT COMPONENTS
PTC MEANS POSITIVE TEMPERATURE COEFFICIENT STARTER.
- ⑨ RATED IN ACCORDANCE WITH ARI STANDARD 270/SECTION 5.3.6.



SPLIT SYSTEM



CONDENSING UNIT WITH COOLING COILS

	CCBB42A4AC	CUBB42A4AC	CUBC42A4AC	TXA042C4	TXA043C4	TXA048C4	TXA049C4
EXPANSION TYPE	FIXED ORIFICE	FIXED ORIFICE	FIXED ORIFICE	CHG TO 75	CHG TO 75	CHG TO 75	CHG TO 75
RATINGS (COOLING) ①							
BTUH (TOTAL)	37600	37600	37600	39000	39000	40500	41000
BTUH (SENSIBLE)	26600	26600	26600	27300	28700	29500	31500
INDOOR AIRFLOW (CFM)	1200	1200	1200	1200	1400	1350	1535
SYSTEM POWER (KW)	3.98	3.98	3.98	4.02	4.13	4.15	4.27
EER/SEER (BTU/WATT-HR.)	9.45/10.00	9.45/10.00	9.45/10.00	9.70/10.00	9.45/10.00	9.75/10.00	9.60/10.00

	TXC036E5	TXC037E5	TXC042C4	TXC043C4	TXC048C4	TXC049C4	TXC054E5
EXPANSION TYPE	TXV-NB	TXV-NB	CHG TO 75	CHG TO 75	CHG TO 75	CHG TO 75	TXV-NB
RATINGS (COOLING) ①							
BTUH (TOTAL)	40000	40500	39000	39000	40500	41000	41000
BTUH (SENSIBLE)	28900	30000	27300	28700	29500	31500	31500
INDOOR AIRFLOW (CFM)	1280	1350	1200	1400	1350	1535	1535
SYSTEM POWER (KW)	4.08	4.13	4.02	4.13	4.15	4.27	4.25
EER/SEER (BTU/WATT-HR.)	9.80/10.50	9.80/10.50	9.70/10.00	9.45/10.00	9.75/10.00	9.60/10.00	9.65/10.50

	TXH041A4	TXH054A4
EXPANSION TYPE	CHG TO 75	CHG TO 75
RATINGS (COOLING) ①		
BTUH (TOTAL)	41000	43000
BTUH (SENSIBLE)	30600	34100
INDOOR AIRFLOW (CFM)	1400	1575
SYSTEM POWER (KW)	4.21	4.39
EER/SEER (BTU/WATT-HR.)	9.75/10.00	9.80/10.00



General Data

2TTB0042A1000A

CONDENSING UNIT WITH AIR HANDLERS

	TVF036A14	TWE042C14	TWE042P13	TWE048C14	TWE048P13	TWG042A14	TWG048A14
EXPANSION TYPE	CHG TO 75	CHG TO 75	TXV-NB	CHG TO 75	TXV-NB	CHG TO 75	CHG TO 75
RATINGS (COOLING) ①							
BTUH (TOTAL)	40000	40000	40500	41500	43000	38500	41500
BTUH (SENSIBLE)	29900	29900	30300	32300	34100	28300	32300
INDOOR AIRFLOW (CFM)	1350	1400	1400	1555	1575	1400	1555
SYSTEM POWER (KW)	4.26	4.17	4.15	4.32	4.28	4.03	4.28
EER/SEER (BTU/WATT-HR.)	9.40/10.00	9.60/10.00	9.75/10.50	9.60/10.00	10.05/10.50	9.55/10.00	9.70/10.00



General Data

2TTB0048A1000A

OUTDOOR UNIT ^{①②}	2TTB0048A1000A
SOUND RATING (DECIBELS) ^{②④}	82
POWER CONNS. — V/PH/Hz ^③	200/230/1/60
MIN. BRCH. CIR. AMPACITY	26
BR. CIR. } MAX. (AMPS)	45
PROT. RTG. } MIN. (AMPS)	40
COMPRESSOR	CLIMATUFF®
NO. USED - NO. SPEEDS	1 - 1
VOLTS/PH/Hz	200/230/1/60
R.L. AMPS ^⑦ - L.R. AMPS	19.7 - 105
FACTORY INSTALLED	
START COMPONENTS ^⑧	NO
INSULATION/SOUND BLANKET	NO
COMPRESSOR HEAT	NO
OUTDOOR FAN — TYPE	PROPELLER
DIA. (IN.) - NO. USED	19 - 1
TYPE DRIVE - NO. SPEEDS	DIRECT - 1
CFM @ 0.0 IN. W.G. ^④	2500
NO. MOTORS - HP.	1 - 1/4
MOTOR SPEED R.P.M.	1075
VOLTS/PH/Hz	200/230/1/60
F.L. AMPS	1.3
OUTDOOR COIL — TYPE	SPINE FIN™
ROWS - F.P.I.	1 - 24
FACE AREA (SQ. FT.)	13.75
TUBE SIZE (IN.)	3/8
REFRIGERANT	R-22
(O.D. UNIT) NP CHR.G. ^⑤	6/13-LB/OZ
FACTORY SUPPLIED	YES
LINE SIZE - IN. O.D. GAS ^⑥	1-1/8
LINE SIZE - IN. O.D. LIQ. ^⑥	3/8
FCCV	
RESTRICTOR ORIFICE SIZE	0.080
DIMENSIONS	H X W X D
OUTDOOR UNIT CRATED (IN.)	33.2 X 26.7 X 30.2
UNCRATED	SEE OUTLINE DWG.
WEIGHT	
SHIPPING (LBS.)	218
NET (LBS.)	198

- ① CERTIFIED IN ACCORDANCE WITH THE UNITARY AIR-CONDITIONER EQUIPMENT CERTIFICATION PROGRAM WHICH IS BASED ON A.R.I. STANDARD 210/240.
- ② RATED IN ACCORDANCE WITH A.R.I. STANDARD 270.
- ③ CALCULATED IN ACCORDANCE WITH NATIONAL ELECTRIC CODE. ONLY USE HACR CIRCUIT BREAKERS OR FUSES.
- ④ STANDARD AIR - DRY COIL - OUTDOOR
- ⑤ THIS VALUE APPROXIMATE. FOR MORE PRECISE VALUE SEE UNIT NAMEPLATE AND SERVICE INSTRUCTION.
- ⑥ MAX. LINEAR LENGTH: 80 FT WITH RECIPROCATING COMPRESSOR - 60 FT WITH SCROLL. MAX. LIFT - SUCTION 60 FT; MAX LIFT - LIQUID 60 FT. FOR GREATER LENGTH REFER TO REFRIGERANT PIPING SOFTWARE PUB. NO. 32-3312-01.
- ⑦ THE VALUE SHOWN FOR COMPRESSOR RLA ON THE UNIT NAMEPLATE AND ON THIS SPECIFICATION SHEET IS USED TO COMPUTE MINIMUM BRANCH CIRCUIT AMPACITY AND MAXIMUM FUSE SIZE. THE VALUE SHOWN IS THE BRANCH CIRCUIT SELECTION CURRENT.
- ⑧ NO MEANS NO START COMPONENTS
YES MEANS QUICK START KIT COMPONENTS
PTC MEANS POSITIVE TEMPERATURE COEFFICIENT STARTER.
- ⑨ RATED IN ACCORDANCE WITH ARI STANDARD 270/SECTION 5.3.6.



SPLIT SYSTEM



CONDENSING UNIT WITH COOLING COILS

	CCBB48A4AC	CCBC48A4AC	CCBD60A5AC	CUBB48A4AC	CUBC48A4AC	CUBD48A4AC	CUBD60A5AC
EXPANSION TYPE	FIXED ORIFICE	FIXED ORIFICE	TXV-B	FIXED ORIFICE	FIXED ORIFICE	FIXED ORIFICE	TXV-B
RATINGS (COOLING) ^①							
BTUH (TOTAL)	42500	44000	46000	42500	44000	44000	46000
BTUH (SENSIBLE)	29300	32700	35200	29300	32700	32700	35200
INDOOR AIRFLOW (CFM)	1250	1600	1725	1250	1600	1600	1725
SYSTEM POWER (KW)	4.59	4.81	4.97	4.59	4.81	4.81	4.97
EER/SEER (BTU/WATT-HR.)	9.25/10.00	9.15/10.00	9.25/10.00	9.25/10.00	9.15/10.00	9.15/10.00	9.25/10.00

	TXA048C4	TXA049C4	TXA050C4	TXA060C5	TXA061C5	TXC048C4	TXC049C4
EXPANSION TYPE	CHG TO 80	CHG TO 80	CHG TO 80	TXV-NB	TXV-NB	CHG TO 80	CHG TO 80
RATINGS (COOLING) ^①							
BTUH (TOTAL)	44000	45500	45500	46000	47000	44000	45500
BTUH (SENSIBLE)	30900	33700	33700	34600	36700	30900	33700
INDOOR AIRFLOW (CFM)	1350	1600	1600	1700	1760	1350	1600
SYSTEM POWER (KW)	4.68	4.87	4.87	4.95	5.03	4.68	4.87
EER/SEER (BTU/WATT-HR.)	9.40/10.00	9.35/10.00	9.35/10.00	9.30/10.00	9.35/10.00	9.40/10.00	9.35/10.00

	TXC050C4	TXC054E5	TXC060C5	TXC061C5	TXH054A4	TXH063P3-A	TXH063P3-B
EXPANSION TYPE	CHG TO 80	TXV-NB	TXV-NB	TXV-NB	CHG TO 80	TXV-NB	TXV-NB
RATINGS (COOLING) ^①							
BTUH (TOTAL)	45500	45500	46000	47000	48000	48500	48500
BTUH (SENSIBLE)	33700	34500	34600	36700	37400	38500	38800
INDOOR AIRFLOW (CFM)	1600	1700	1700	1760	1700	1800	1800
SYSTEM POWER (KW)	4.87	4.92	4.95	5.03	5.08	5.11	5.11
EER/SEER (BTU/WATT-HR.)	9.35/10.00	9.25/10.00	9.30/10.00	9.35/10.00	9.45/10.00	9.50/10.00	9.50/10.00



General Data

2TTB0048A1000A

CONDENSING UNIT WITH AIR HANDLERS

	TWE048C14	TWE048P13	TWE060C/D15	TWE060P13	TWE063P13	TWG048A14	TWG060A15
EXPANSION TYPE	CHG TO 80	TXV-NB	TXV-NB	TXV-NB	TXV-NB	CHG TO 80	TXV-NB
RATINGS (COOLING) ①							
BTUH (TOTAL)	46000	47500	46000	48000	47500	45500	46500
BTUH (SENSIBLE)	34500	36100	35800	38400	35900	34100	36100
INDOOR AIRFLOW (CFM)	1600	1600	1725	1800	1600	1600	1740
SYSTEM POWER (KW)	4.95	5.00	5.20	5.08	5.14	4.92	5.14
EER/SEER (BTU/WATT-HR.)	9.30/10.00	9.50/10.50	8.85/10.00	9.45/10.50	9.25/10.50	9.25/10.00	9.05/10.00

General Data

2TTB0060A1000A

OUTDOOR UNIT ①②	2TTB0060A1000A
SOUND RATING (DECIBELS) ②③	83
POWER CONNS. — V/PH/Hz ③	200/230/1/60
MIN. BRCH. CIR. AMPACITY	35
BR. CIR. } MAX. (AMPS)	60
PROT. RTG. } MIN. (AMPS)	60
COMPRESSOR	CLIMATUFF®
NO. USED - NO. SPEEDS	1 - 1
VOLTS/PH/Hz	200/230/1/60
R.L. AMPS ⑦ - L.R. AMPS	26.3 - 141
FACTORY INSTALLED	
START COMPONENTS ⑧	NO
INSULATION/SOUND BLANKET	NO
COMPRESSOR HEAT	NO
OUTDOOR FAN — TYPE	PROPELLER
DIA. (IN.) - NO. USED	23 - 1
TYPE DRIVE - NO. SPEEDS	DIRECT - 1
CFM @ 0.0 IN. W.G. ④	3700
NO. MOTORS - HP.	1 - 1/4
MOTOR SPEED R.P.M.	825
VOLTS/PH/Hz	200/230/1/60
F.L. AMPS	1.9
OUTDOOR COIL — TYPE	SPINE FIN™
ROWS - F.P.I.	1 - 24
FACE AREA (SQ. FT.)	18.75
TUBE SIZE (IN.)	3/8
REFRIGERANT	R-22
(O.D. UNIT) NP CHR.G. ⑤	7/14-LB/OZ
FACTORY SUPPLIED	YES
LINE SIZE - IN. O.D. GAS ⑥	1-1/8
LINE SIZE - IN. O.D. LIQ. ⑥	3/8
FCCV	
RESTRICTOR ORIFICE SIZE	0.089
DIMENSIONS	H X W X D
OUTDOOR UNIT CRATED (IN.)	38 X 30.1 X 33.8
UNCRATED	SEE OUTLINE DWG.
WEIGHT	
SHIPPING (LBS.)	256
NET (LBS.)	229

- ① CERTIFIED IN ACCORDANCE WITH THE UNITARY AIR-CONDITIONER EQUIPMENT CERTIFICATION PROGRAM WHICH IS BASED ON A.R.I. STANDARD 210/240.
- ② RATED IN ACCORDANCE WITH A.R.I. STANDARD 270.
- ③ CALCULATED IN ACCORDANCE WITH NATIONAL ELECTRIC CODE. ONLY USE HACR CIRCUIT BREAKERS OR FUSES.
- ④ STANDARD AIR - DRY COIL - OUTDOOR
- ⑤ THIS VALUE APPROXIMATE. FOR MORE PRECISE VALUE SEE UNIT NAMEPLATE AND SERVICE INSTRUCTION.
- ⑥ MAX. LINEAR LENGTH: 80 FT WITH RECIPROCATING COMPRESSOR - 60 FT WITH SCROLL. MAX. LIFT - SUCTION 60 FT; MAX LIFT - LIQUID 60 FT. FOR GREATER LENGTH REFER TO REFRIGERANT PIPING SOFTWARE PUB. NO. 32-3312-01.
- ⑦ THE VALUE SHOWN FOR COMPRESSOR RLA ON THE UNIT NAMEPLATE AND ON THIS SPECIFICATION SHEET IS USED TO COMPUTE MINIMUM BRANCH CIRCUIT AMPACITY AND MAXIMUM FUSE SIZE. THE VALUE SHOWN IS THE BRANCH CIRCUIT SELECTION CURRENT.
- ⑧ NO MEANS NO START COMPONENTS
YES MEANS QUICK START KIT COMPONENTS
PTC MEANS POSITIVE TEMPERATURE COEFFICIENT STARTER.
- ⑨ RATED IN ACCORDANCE WITH ARI STANDARD 270/SECTION 5.3.6.



SPLIT SYSTEM



CONDENSING UNIT WITH COOLING COILS

	CCBD60A5AC	CUBD60A5AC	TXA049C4	TXA050C4	TXA060C5	TXA061C5	TXC049C4
EXPANSION TYPE	TXV-B	TXV-B	CHG TO 89	CHG TO 89	TXV-NB	TXV-NB	CHG TO 89
RATINGS (COOLING) ①							
BTUH (TOTAL)	56000	56000	54000	54000	55000	56500	54000
BTUH (SENSIBLE)	41200	41200	38000	38000	38400	40800	38000
INDOOR AIRFLOW (CFM)	2000	2000	1675	1675	1700	1800	1675
SYSTEM POWER (KW)	6.22	6.22	6.00	6.00	6.04	6.17	6.00
EER/SEER (BTU/WATT-HR.)	9.00/10.00	9.00/10.00	9.00/10.00	9.00/10.00	9.10/10.00	9.15/10.00	9.00/10.00

	TXC050C4	TXC054E5	TXC054S3	TXC060C5	TXC061C5	TXC065S3	TXH054A4
EXPANSION TYPE	CHG TO 89	TXV-NB	TXV-NB	TXV-NB	TXV-NB	TXV-NB	CHG TO 89
RATINGS (COOLING) ①							
BTUH (TOTAL)	54000	54500	54500	55000	56500	57500	57500
BTUH (SENSIBLE)	38000	38500	38500	38400	40800	42900	41400
INDOOR AIRFLOW (CFM)	1675	1700	1700	1700	1800	2000	1700
SYSTEM POWER (KW)	6.00	6.02	6.02	6.04	6.17	6.28	6.18
EER/SEER (BTU/WATT-HR.)	9.00/10.00	9.05/10.00	9.05/10.00	9.10/10.00	9.15/10.00	9.15/10.00	9.30/10.00

	TXH063P3-A	TXH063P3-B
EXPANSION TYPE	TXV-NB	TXV-NB
RATINGS (COOLING) ①		
BTUH (TOTAL)	58500	58500
BTUH (SENSIBLE)	44600	44900
INDOOR AIRFLOW (CFM)	2000	2000
SYSTEM POWER (KW)	6.32	6.29
EER/SEER (BTU/WATT-HR.)	9.25/10.00	9.30/10.50

*See page 17 for combinations with Auxiliary Devices.



General Data

2TTB0060A1000A

CONDENSING UNIT WITH AIR HANDLERS

	TWE048C14	TWE048P13	TWE060P13	TWE063P13	TWG048A14	TWG060A15
EXPANSION TYPE	CHG TO 89	TXV-NB	TXV-NB	TXV-NB	CHG TO 89	TXV-NB
RATINGS (COOLING) ①						
BTUH (TOTAL)	55500	58000	58000	58000	54000	56500
BTUH (SENSIBLE)	40100	42700	42700	42500	37900	42100
INDOOR AIRFLOW (CFM)	1800	1800	1800	1800	1625	2000
SYSTEM POWER (KW)	6.20	6.27	6.27	6.44	6.00	6.38
EER/SEER (BTU/WATT-HR.)	8.95/10.00	9.25/10.00	9.25/10.00	9.00/10.00	9.00/10.00	8.85/10.00

*See page 17 for combinations with Auxiliary Devices.



Ratings with Auxiliary Devices

COMBINATIONS WITH FAN DELAY RELAY KIT AND/OR TXV KIT

*When models are matched with an indoor air handler or coil that has a flow control check valve or expansion valve flow control, the addition of an indoor fan delay relay and/or TXV kit may increase the system SEER. See charts below for ratings.

OUTDOOR MODEL	INDOOR MODEL	FAN DELAY KIT	TXV KIT	CFM	SEER	COOLING CAPACITY
2TTB0060A10	CCBC60A4AC	Y	NO	1675	10.00	53500
2TTB0060A10	CUBC60A4AC	Y	NO	1675	10.00	53500



Performance Data Cooling

2TTB0030A1

2TTB0030A1 WITH TXA/TXC031C4/D4 AT 1000 CFM

O.D. D.B.	I.D. W.B.	TOT. CAP.	SENS. CAP. AT ENTERING D.B. TEMP.				TOTAL KW
			72	75	78	80	
85	59	25.5	21.6	24.4	26.1*	26.8*	2.76
	63	27.6	18.1	20.9	23.6	25.4	2.83
	67	29.7	14.2	16.9	19.7	21.5	2.90
	71	32.0	10.2	12.9	15.7	17.5	2.97
95	59	24.8	21.3	24.0	25.6*	26.2*	3.00
	63	26.9	17.8	20.6	23.3	25.1	3.06
	67	29.0	13.9	16.6	19.4	21.2	3.13
	71	31.2	9.9	12.7	15.4	17.2	3.21
105	59	23.1	20.6	22.9	24.1*	24.8*	3.19
	63	25.0	17.0	19.8	22.5	24.3	3.25
	67	27.0	13.1	15.9	18.6	20.4	3.32
	71	29.1	9.2	11.9	14.6	16.4	3.39
115	59	21.3	19.8	21.8	22.7*	23.2*	3.39
	63	23.1	16.3	19.0	21.7	23.2*	3.44
	67	25.0	12.4	15.1	17.8	19.6	3.50
	71	26.9	8.4	11.1	13.8	15.7	3.56

CORRECTION FACTORS FOR OTHER AIRFLOWS (MULTIPLY DATA BY FACTOR)

AIRFLOW	TOTAL CAPACITY	SENSIBLE CAPACITY
LOW	0.98	0.94
HIGH	1.02	1.05

NOTE: ALL TABLES ABOVE ARE AT ARI RATING CONDITIONS RATED WITH 25 FEET OF REFRIGERANT LINES.
 * DRY COIL CONDITION (TOTAL CAPACITY = SENSIBLE CAPACITY)
 TOTAL CAPACITY, COMP. KW AND APP. DEW PT. ARE VALID ONLY FOR WET COIL. ALL TEMPERATURES IN DEGREES F.

CORRECTION FACTORS FOR OTHER COMBINATIONS (MULTIPLY DATA BY FACTOR)

INDOOR MODEL	CFM	MBTUH TOT	MBTUH SEN	SYST KW
TWE036P13	RATED	1100	1.05	1.07
	LOW	950	1.03	1.01
	HIGH	1250	1.06	1.14
TWG030A14	RATED	1000	0.99	1.00
	LOW	875	0.97	0.95
	HIGH	1125	1.00	1.05
TWG036A14	RATED	1100	1.03	1.07
	LOW	950	1.01	1.00
	HIGH	1250	1.04	1.13
TWG037A14	RATED	1100	1.03	1.07
	LOW	950	1.01	1.00
	HIGH	1250	1.04	1.13
TXA/TXC030C4/D4	RATED	1000	1.00	0.99
	LOW	875	0.98	0.93
	HIGH	1125	1.02	1.04
TXA/TXC031C4/D4	RATED	1000	1.00	1.00
	LOW	875	0.98	0.94
	HIGH	1125	1.02	1.05
TXA/TXC035C4/D4	RATED	1100	1.01	1.03
	LOW	950	0.99	0.97
	HIGH	1250	1.02	1.10
TXA/TXC036C4/D4	RATED	1100	1.04	1.06
	LOW	950	1.02	0.99
	HIGH	1250	1.05	1.13
TXC031E5	RATED	1000	1.05	1.05
	LOW	875	1.03	0.99
	HIGH	1125	1.06	1.10
TXC036E5	RATED	1100	1.09	1.12
	LOW	950	1.07	1.04
	HIGH	1250	1.10	1.19
TXC037E5	RATED	1100	1.09	1.12
	LOW	950	1.07	1.04
	HIGH	1250	1.10	1.19

CORRECTION FACTORS FOR OTHER COMBINATIONS (MULTIPLY DATA BY FACTOR)

INDOOR MODEL	CFM	MBTUH TOT	MBTUH SEN	SYST KW
TXH025A4	RATED	900	0.96	0.92
	LOW	775	0.93	0.87
	HIGH	1025	0.98	0.97
TXH033A4	RATED	1000	1.01	1.03
	LOW	875	0.99	0.97
	HIGH	1125	1.02	1.08
CC/CUBA30A4AC	RATED	1000	0.96	0.96
	LOW	875	0.94	0.91
	HIGH	1125	0.97	1.01
CC/CUBB30A4AC	RATED	1000	1.01	1.01
	LOW	875	0.99	0.95
	HIGH	1125	1.03	1.06
TVF030A14	RATED	1000	1.04	1.06
	LOW	875	1.01	0.99
	HIGH	1125	1.05	1.12
TVF036A14	RATED	1100	1.07	1.11
	LOW	950	1.05	1.03
	HIGH	1250	1.08	1.18
TWE030C14	RATED	900	0.98	0.95
	LOW	775	0.95	0.89
	HIGH	1025	1.00	1.01
TWE030P13	RATED	900	1.03	1.00
	LOW	775	1.01	0.94
	HIGH	1025	1.05	1.06
TWE036C14	RATED	1100	1.04	1.08
	LOW	950	1.02	1.01
	HIGH	1250	1.05	1.14



Performance Data Cooling

2TTB0036A1

2TTB0036A1 WITH TXA/TXC036C4/D4 AT 1200 CFM

O.D. D.B.	I.D. W.B.	TOT. CAP.	SENS. CAP. AT ENTERING D.B. TEMP.				TOTAL KW
			72	75	78	80	
85	59	29.8	25.7	28.9	30.7*	31.4*	3.24
	63	32.1	21.4	24.6	27.9	30.1	3.32
	67	34.4	16.6	19.9	23.1	25.3	3.41
	71	36.9	11.7	15.0	18.3	20.5	3.50
95	59	29.1	25.3	28.4	30.1*	30.8*	3.52
	63	31.3	21.0	24.3	27.6	29.8	3.60
	67	33.6	16.3	19.6	22.8	25.0	3.69
	71	36.0	11.4	14.7	18.0	20.2	3.78
105	59	27.1	24.5	27.1	28.4*	29.1*	3.76
	63	29.2	20.1	23.4	26.7	28.9	3.84
	67	31.3	15.4	18.6	21.9	24.1	3.92
	71	33.5	10.5	13.8	17.1	19.3	4.01
115	59	25.1	23.6	25.6	26.7*	27.3*	4.00
	63	27.0	19.3	22.5	25.8	27.3*	4.08
	67	29.0	14.5	17.8	21.0	23.2	4.16
	71	31.1	9.7	12.9	16.2	18.4	4.24

CORRECTION FACTORS FOR OTHER AIRFLOWS (MULTIPLY DATA BY FACTOR)

AIRFLOW	TOTAL CAPACITY	SENSIBLE CAPACITY
LOW	1050	0.98
HIGH	1350	1.01

NOTE: ALL TABLES ABOVE ARE AT ARI RATING CONDITIONS RATED WITH 25 FEET OF REFRIGERANT LINES.
* DRY COIL CONDITION (TOTAL CAPACITY = SENSIBLE CAPACITY)
TOTAL CAPACITY, COMP. KW AND APP. DEW PT. ARE VALID ONLY FOR WET COIL. ALL TEMPERATURES IN DEGREES F.

CORRECTION FACTORS FOR OTHER COMBINATIONS (MULTIPLY DATA BY FACTOR)

INDOOR MODEL		CFM	MBTUH TOT	MBTUH SEN	SYST KW
TXA/TXC035C4/D4	RATED	1100	0.94	0.92	0.95
	LOW	950	0.92	0.86	0.96
	HIGH	1250	0.96	0.96	0.94
TXA/TXC036C4/D4	RATED	1200	1.00	1.00	1.00
	LOW	1050	0.98	0.94	1.01
	HIGH	1350	1.01	1.05	0.99
TXA/TXC037C4	RATED	1200	1.00	1.00	1.00
	LOW	1050	0.98	0.94	1.01
	HIGH	1350	1.01	1.05	0.99
TXA/TXC042C4	RATED	1200	1.01	1.01	0.98
	LOW	1050	0.99	0.95	0.99
	HIGH	1350	1.02	1.07	0.97
TXA/TXC043C4	RATED	1400	1.02	1.08	1.02
	LOW	1225	1.00	1.02	1.03
	HIGH	1575	1.03	1.15	1.01
TXC036E5	RATED	1200	1.05	1.05	1.00
	LOW	1050	1.03	0.99	1.00
	HIGH	1350	1.06	1.11	0.99
TXC037E5	RATED	1200	1.05	1.05	1.00
	LOW	1050	1.03	0.99	1.00
	HIGH	1350	1.06	1.11	0.99
TXH033A4	RATED	1100	0.94	0.95	0.95
	LOW	950	0.92	0.89	0.96
	HIGH	1250	0.96	1.00	0.94
TXH041A4	RATED	1400	1.04	1.11	1.02
	LOW	1225	1.02	1.04	1.03
	HIGH	1575	1.05	1.18	1.01

CORRECTION FACTORS FOR OTHER COMBINATIONS (MULTIPLY DATA BY FACTOR)

INDOOR MODEL		CFM	MBTUH TOT	MBTUH SEN	SYST KW
CC/CUBA36A4AC	RATED	1100	0.94	0.92	0.95
	LOW	950	0.92	0.86	0.96
	HIGH	1250	0.96	0.96	0.94
CC/CUBB36A4AC	RATED	1100	0.94	0.93	0.95
	LOW	950	0.92	0.88	0.96
	HIGH	1250	0.96	0.99	0.94
CUBC36A4AC	RATED	1100	0.94	0.93	0.95
	LOW	950	0.92	0.88	0.96
	HIGH	1250	0.96	0.99	0.94
TVF036A14	RATED	1200	1.01	1.03	0.99
	LOW	1050	0.99	0.97	1.00
	HIGH	1350	1.02	1.09	0.98
TWE036C14	RATED	1200	0.99	1.00	0.98
	LOW	1050	0.97	0.94	0.99
	HIGH	1350	1.00	1.05	0.97
TWE036P13	RATED	1200	1.02	1.01	0.98
	LOW	1050	1.00	0.95	0.99
	HIGH	1350	1.03	1.06	0.97
TWE042C14	RATED	1400	1.02	1.10	1.02
	LOW	1225	1.01	1.03	1.03
	HIGH	1575	1.03	1.15	1.01
TWE042P13	RATED	1400	1.05	1.12	1.03
	LOW	1225	1.04	1.05	1.04
	HIGH	1575	1.06	1.19	1.02
TWG036A14	RATED	1200	0.97	0.98	0.99
	LOW	1050	0.95	0.94	1.00
	HIGH	1350	0.98	1.03	0.98
TWG037A14	RATED	1200	0.97	0.99	0.96
	LOW	1050	0.96	0.94	0.97
	HIGH	1350	0.98	1.04	0.95
TWG042A14	RATED	1400	0.98	1.06	0.99
	LOW	1225	0.97	1.00	1.00
	HIGH	1575	0.99	1.11	0.98



Performance Data Cooling

2TTB0042A1

2TTB0042A1 WITH TXA/TXC042C4 AT 1200 CFM

O.D. D.B.	I.D. W.B.	TOT. CAP.	SENS. CAP. AT ENTERING D.B. TEMP.				TOTAL KW
			72	75	78	80	
85	59	34.4	28.0	31.3	34.5*	35.4*	3.50
	63	37.1	23.7	27.0	30.3	32.5	3.59
	67	40.1	18.9	22.3	25.6	27.8	3.69
	71	43.1	14.0	17.4	20.7	22.9	3.80
95	59	33.4	27.5	30.9	33.7*	34.6*	3.83
	63	36.1	23.2	26.6	29.9	32.1	3.92
	67	39.0	18.5	21.8	25.1	27.4	4.02
	71	42.0	13.6	17.0	20.3	22.5	4.12
105	59	30.8	26.3	29.6	31.7*	32.4*	4.12
	63	33.3	22.0	25.4	28.7	30.9	4.20
	67	36.0	17.3	20.6	23.9	26.2	4.29
	71	38.7	12.4	15.8	19.1	21.3	4.39
115	59	28.1	25.1	28.0	29.5*	30.2*	4.41
	63	30.5	20.8	24.2	27.5	29.7	4.49
	67	32.9	16.1	19.4	22.8	25.0	4.57
	71	35.5	11.3	14.6	17.9	20.1	4.65

CORRECTION FACTORS FOR OTHER AIRFLOWS (MULTIPLY DATA BY FACTOR)

	AIRFLOW	TOTAL CAPACITY	SENSIBLE CAPACITY
LOW	1050	0.97	0.94
HIGH	1350	1.02	1.05

NOTE: ALL TABLES ABOVE ARE AT ARI RATING CONDITIONS RATED WITH 25 FEET OF REFRIGERANT LINES.
 * DRY COIL CONDITION (TOTAL CAPACITY = SENSIBLE CAPACITY)
 TOTAL CAPACITY, COMP. KW AND APP. DEW PT. ARE VALID ONLY FOR WET COIL. ALL TEMPERATURES IN DEGREES F.

CORRECTION FACTORS FOR OTHER COMBINATIONS (MULTIPLY DATA BY FACTOR)

INDOOR MODEL		CFM	MBTUH TOT	MBTUH SEN	SYST KW
TXA/TXC048C4	RATED	1400	1.04	1.09	1.04
	LOW	1225	1.02	1.03	1.05
	HIGH	1575	1.05	1.16	1.03
TXA/TXC049C4	RATED	1600	1.05	1.15	1.07
	LOW	1400	1.03	1.08	1.08
	HIGH	1800	1.06	1.22	1.06
TXC036E5	RATED	1300	1.05	1.08	1.02
	LOW	1125	1.03	1.01	1.03
	HIGH	1475	1.07	1.14	1.01
TXC037E5	RATED	1400	1.06	1.12	1.04
	LOW	1225	1.04	1.05	1.05
	HIGH	1575	1.07	1.17	1.03
TXC054E5	RATED	1600	1.07	1.16	1.07
	LOW	1400	1.05	1.09	1.08
	HIGH	1800	1.08	1.23	1.06
TXH041A4	RATED	1400	1.05	1.11	1.04
	LOW	1225	1.03	1.04	1.05
	HIGH	1575	1.06	1.16	1.03
TXH054A4	RATED	1600	1.11	1.22	1.09
	LOW	1400	1.09	1.15	1.10
	HIGH	1800	1.12	1.29	1.08

CORRECTION FACTORS FOR OTHER COMBINATIONS (MULTIPLY DATA BY FACTOR)

INDOOR MODEL		CFM	MBTUH TOT	MBTUH SEN	SYST KW
CC/CUBB42A4AC	RATED	1200	0.97	0.98	0.99
	LOW	1050	0.94	0.92	1.00
	HIGH	1350	0.99	1.03	0.98
CU/CUBC42A4AC	RATED	1200	0.97	0.98	0.99
	LOW	1050	0.94	0.92	1.00
	HIGH	1350	0.99	1.03	0.98
TVF036A14	RATED	1400	1.03	1.10	1.06
	LOW	1225	1.01	1.03	1.07
	HIGH	1575	1.04	1.15	1.05
TWE042C14	RATED	1400	1.03	1.08	1.04
	LOW	1225	1.00	1.02	1.05
	HIGH	1575	1.04	1.13	1.03
TWE042P13	RATED	1400	1.06	1.11	1.04
	LOW	1225	1.04	1.04	1.05
	HIGH	1575	1.07	1.16	1.03
TWE048C14	RATED	1600	1.07	1.17	1.08
	LOW	1400	1.06	1.10	1.09
	HIGH	1800	1.08	1.23	1.07
TWE048P13	RATED	1600	1.12	1.23	1.07
	LOW	1400	1.10	1.15	1.08
	HIGH	1800	1.13	1.31	1.06
TWG042A14	RATED	1400	0.99	1.03	1.00
	LOW	1225	0.97	0.97	1.01
	HIGH	1575	1.00	1.08	0.99
TWG048A14	RATED	1600	1.07	1.17	1.07
	LOW	1400	1.04	1.10	1.08
	HIGH	1800	1.08	1.23	1.06
TXA/TXC042C4	RATED	1200	1.00	1.00	1.00
	LOW	1050	0.97	0.94	1.01
	HIGH	1350	1.02	1.05	0.99
TXA/TXC043C4	RATED	1400	1.00	1.04	1.03
	LOW	1225	0.98	0.98	1.04
	HIGH	1575	1.01	1.09	1.01



Performance Data Cooling

2TTB0048A1

2TTB0048A1 WITH TXA/TXC049C4 AT 1600 CFM

O.D. D.B.	I.D. W.B.	TOT. CAP.	SENS. CAP. AT ENTERING D.B. TEMP.				TOTAL KW
			72	75	78	80	
85	59	40.4	34.7	39.0	41.6*	42.6*	4.20
	63	43.6	29.0	33.3	37.7	40.6	4.34
	67	47.0	22.6	27.1	31.4	34.3	4.48
	71	50.4	16.2	20.6	24.9	27.9	4.63
95	59	39.2	34.1	38.2	40.5*	41.5*	4.57
	63	42.3	28.4	32.8	37.1	40.1	4.72
	67	45.5	22.1	26.4	30.8	33.7	4.87
	71	48.8	15.6	20.0	24.4	27.3	5.02
105	59	36.0	32.7	36.3	37.9*	38.8*	4.89
	63	38.9	27.0	31.3	35.7	38.6	5.04
	67	41.9	20.6	25.1	29.4	32.3	5.19
	71	45.0	14.2	18.6	23.0	25.9	5.35
115	59	32.8	31.3	33.8	35.1*	36.0*	5.21
	63	35.5	25.6	29.9	34.3	36.0*	5.36
	67	38.2	19.2	23.6	28.0	30.9	5.51
	71	41.1	12.8	17.2	21.6	24.5	5.67

CORRECTION FACTORS FOR OTHER AIRFLOWS (MULTIPLY DATA BY FACTOR)

AIRFLOW	TOTAL CAPACITY	SENSIBLE CAPACITY
LOW	1400	0.98
HIGH	1800	1.01

* DRY COIL CONDITION (TOTAL CAPACITY = SENSIBLE CAPACITY)

TOTAL CAPACITY, COMP. KW AND APP. DEW PT. ARE VALID ONLY FOR WET COIL. ALL TEMPERATURES IN DEGREES F.

CORRECTION FACTORS FOR OTHER COMBINATIONS (MULTIPLY DATA BY FACTOR)

INDOOR MODEL		CFM	MBTUH TOT	MBTUH SEN	SYST KW
CC/CUBB48A4AC	RATED	1300	0.96	0.91	0.96
	LOW	1125	0.93	0.85	0.97
	HIGH	1475	0.98	0.96	0.94
CCB/CUC48A4AC	RATED	1600	0.96	0.97	0.99
	LOW	1400	0.94	0.91	1.00
	HIGH	1800	0.97	1.01	0.98
CCBD/CU60A5AC	RATED	1800	1.03	1.07	1.03
	LOW	1575	1.01	1.00	1.05
	HIGH	2025	1.04	1.12	1.02
CUBD48A4AC	RATED	1600	0.96	0.97	0.99
	LOW	1400	0.94	0.91	1.00
	HIGH	1800	0.97	1.01	0.98
TWE048C14	RATED	1600	1.01	1.02	1.02
	LOW	1400	0.99	0.96	1.03
	HIGH	1800	1.02	1.07	1.01
TWE048P13	RATED	1600	1.06	1.08	1.04
	LOW	1400	1.04	1.01	1.05
	HIGH	1800	1.07	1.14	1.03
TWE060C/D15	RATED	1800	1.03	1.08	1.08
	LOW	1575	1.02	1.01	1.09
	HIGH	2025	1.04	1.13	1.07
TWE060P13	RATED	1800	1.07	1.12	1.05
	LOW	1575	1.05	1.06	1.06
	HIGH	2025	1.08	1.19	1.04
TWE063P13	RATED	1600	1.06	1.07	1.06
	LOW	1400	1.04	1.01	1.07
	HIGH	1800	1.07	1.14	1.05
TWG048A14	RATED	1600	1.00	1.01	1.01
	LOW	1400	0.98	0.95	1.02
	HIGH	1800	1.01	1.06	1.00
TWG060A15	RATED	1800	1.04	1.09	1.07
	LOW	1575	1.03	1.02	1.08
	HIGH	2025	1.05	1.14	1.06

CORRECTION FACTORS FOR OTHER COMBINATIONS (MULTIPLY DATA BY FACTOR)

INDOOR MODEL		CFM	MBTUH TOT	MBTUH SEN	SYST KW
TXA/TXC048C4	RATED	1400	0.97	0.94	0.97
	LOW	1225	0.94	0.89	0.98
	HIGH	1575	0.99	0.99	0.95
TXA/TXC049C4	RATED	1600	1.00	1.00	1.00
	LOW	1400	0.98	0.94	1.01
	HIGH	1800	1.01	1.05	0.99
TXA/TXC050C4	RATED	1600	1.00	1.00	1.00
	LOW	1400	0.98	0.94	1.01
	HIGH	1800	1.01	1.05	0.99
TXA/TXC060C5	RATED	1700	1.03	1.03	1.03
	LOW	1475	1.01	0.97	1.04
	HIGH	1925	1.04	1.10	1.01
TXA/TXC061C5	RATED	1800	1.05	1.09	1.04
	LOW	1575	1.04	1.03	1.05
	HIGH	2025	1.06	1.15	1.03
TXC054E5	RATED	1700	1.02	1.03	1.02
	LOW	1475	1.00	0.97	1.03
	HIGH	1925	1.03	1.09	1.01
TXH054A4	RATED	1700	1.06	1.09	1.04
	LOW	1475	1.04	1.03	1.05
	HIGH	1925	1.07	1.16	1.02
TXH063P3-A	RATED	1800	1.08	1.13	1.06
	LOW	1575	1.06	1.06	1.07
	HIGH	2025	1.09	1.20	1.05
TXH063P3-B	RATED	1800	1.08	1.14	1.06
	LOW	1575	1.06	1.07	1.07
	HIGH	2025	1.09	1.21	1.05



Performance Data Cooling

2TTB0060A1

2TTB0060A1 WITH TXA/TXC061C5 AT 1800 CFM

O.D. D.B.	I.D. W.B.	TOT. CAP.	SENS. CAP. AT ENTERING D.B. TEMP.				TOTAL KW
			72	75	78	80	
85	59	51.6	42.5	47.5	51.9*	53.3*	5.41
	63	55.4	35.9	40.9	45.9	49.3	5.57
	67	59.4	28.6	33.6	38.6	41.9	5.74
	71	63.5	21.1	26.1	31.1	34.5	5.92
95	59	49.1	41.3	46.4	49.9*	51.2*	5.85
	63	52.7	34.7	39.8	44.7	48.1	6.01
	67	56.5	27.4	32.4	37.4	40.8	6.17
	71	60.4	19.9	25.0	29.9	33.3	6.35
105	59	45.9	39.8	44.7	47.3*	48.4*	6.29
	63	49.2	33.2	38.2	43.2	46.6	6.45
	67	52.7	25.9	30.9	35.9	39.2	6.61
	71	56.4	18.4	23.4	28.4	31.8	6.78
115	59	42.6	38.4	42.5	44.5*	45.5*	6.75
	63	45.7	31.7	36.7	41.7	45.1	6.89
	67	49.0	24.4	29.4	34.4	37.7	7.05
	71	52.3	16.9	22.0	26.9	30.3	7.20

CORRECTION FACTORS FOR OTHER AIRFLOWS (MULTIPLY DATA BY FACTOR)

AIRFLOW	TOTAL CAPACITY	SENSIBLE CAPACITY
LOW	1575	0.98
HIGH	2025	1.01

NOTE: ALL TABLES ABOVE ARE AT ARI RATING CONDITIONS RATED WITH 25 FEET OF REFRIGERANT LINES.
 * DRY COIL CONDITION (TOTAL CAPACITY = SENSIBLE CAPACITY)
 TOTAL CAPACITY, COMP. KW AND APP. DEW PT. ARE VALID ONLY FOR WET COIL. ALL TEMPERATURES IN DEGREES F.

CORRECTION FACTORS FOR OTHER COMBINATIONS (MULTIPLY DATA BY FACTOR)

INDOOR MODEL		CFM	MBTUH TOT	MBTUH SEN	SYST KW
TXA/TXC061C5	RATED	1800	1.00	1.00	1.00
	LOW	1575	0.98	0.95	1.01
	HIGH	2025	1.01	1.05	0.99
TXC054E5	RATED	1700	0.96	0.95	0.97
	LOW	1475	0.94	0.89	0.98
	HIGH	1925	0.98	0.99	0.96
TXC054S3	RATED	1700	0.96	0.95	0.97
	LOW	1475	0.94	0.89	0.98
	HIGH	1925	0.98	0.99	0.96
TXC065S3	RATED	2000	1.02	1.05	1.02
	LOW	1750	1.00	0.98	1.03
	HIGH	2250	1.03	1.10	1.01
TXH054A4	RATED	1700	1.00	1.00	0.99
	LOW	1475	0.98	0.94	1.00
	HIGH	1925	1.02	1.06	0.98
TXH063P3-A	RATED	2000	1.03	1.08	1.02
	LOW	1750	1.01	1.01	1.03
	HIGH	2250	1.04	1.14	1.01
TXH063P3-B	RATED	2000	1.03	1.09	1.02
	LOW	1750	1.01	1.02	1.03
	HIGH	2250	1.04	1.15	1.01

CORRECTION FACTORS FOR OTHER COMBINATIONS (MULTIPLY DATA BY FACTOR)

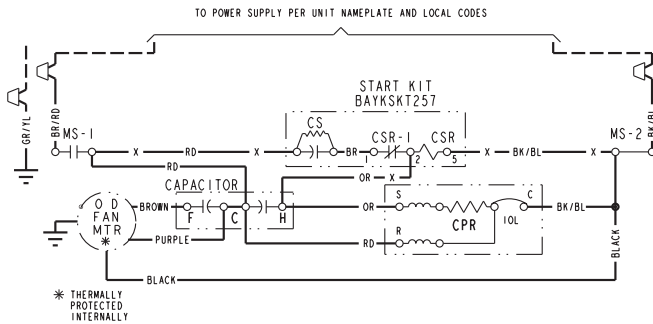
INDOOR MODEL		CFM	MBTUH TOT	MBTUH SEN	SYST KW
CC/CUBC60A4AC+BAY24X045	RATED	1700	0.93	0.92	0.96
	LOW	1475	0.90	0.87	0.97
	HIGH	1925	0.95	0.98	0.95
CC/CUBD60A5AC	RATED	2000	0.99	1.01	1.01
	LOW	1750	0.97	0.95	1.02
	HIGH	2250	1.00	1.06	1.00
TWE048C14	RATED	1800	0.96	0.97	1.00
	LOW	1575	0.95	0.92	1.01
	HIGH	2025	0.97	1.02	0.99
TWE048P13	RATED	1800	1.03	1.04	1.02
	LOW	1575	1.00	0.98	1.03
	HIGH	2025	1.04	1.11	1.01
TWE060P13	RATED	1800	1.03	1.04	1.02
	LOW	1575	1.00	0.98	1.03
	HIGH	2025	1.04	1.11	1.01
TWE063P13	RATED	1800	1.02	1.04	1.04
	LOW	1575	1.00	0.98	1.05
	HIGH	2025	1.03	1.10	1.03
TWG048A14	RATED	1600	0.94	0.92	0.96
	LOW	1400	0.92	0.87	0.97
	HIGH	1800	0.96	0.96	0.95
TWG060A15	RATED	2000	1.00	1.03	1.03
	LOW	1750	0.98	0.98	1.04
	HIGH	2250	1.01	1.08	1.02
TXA/TXC049C4	RATED	1700	0.94	0.93	0.97
	LOW	1475	0.91	0.87	0.98
	HIGH	1925	0.96	0.98	0.96
TXA/TXC050C4	RATED	1700	0.94	0.93	0.97
	LOW	1475	0.91	0.87	0.98
	HIGH	1925	0.96	0.98	0.96
TXA/TXC060C5	RATED	1700	0.97	0.95	0.98
	LOW	1475	0.95	0.89	0.99
	HIGH	1925	0.99	1.00	0.97

Electrical Data

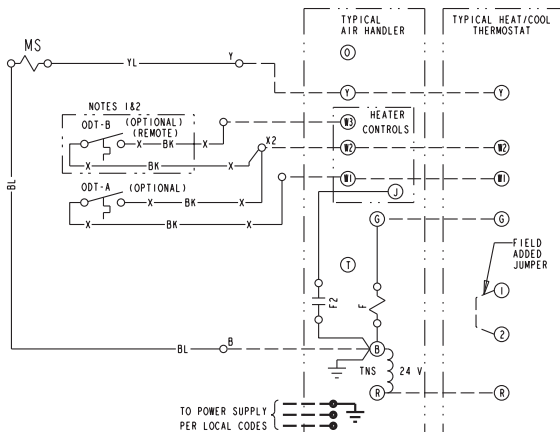
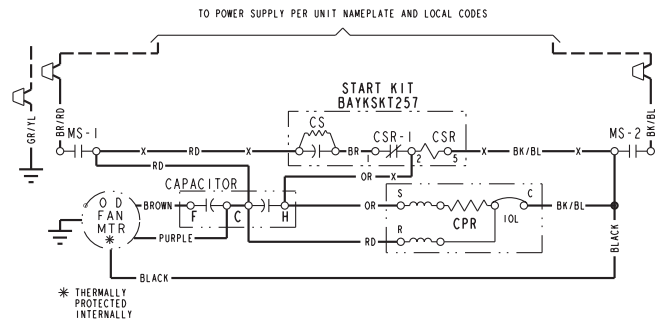
SCHEMATIC DIAGRAMS

(SEE LEGEND)

2TTB0030-048A



2TTB0060A



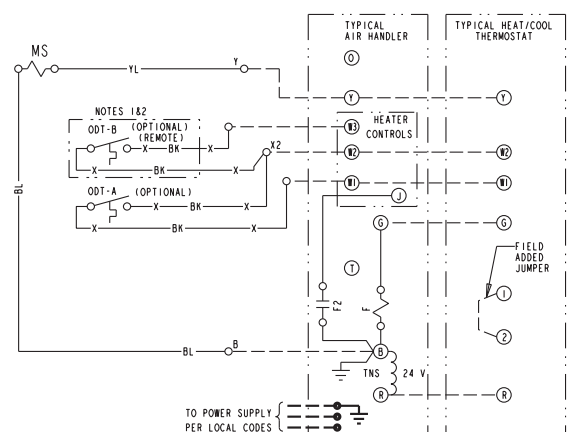
NOTES:

1. IF ODT-B IS NOT USED, ADD JUMPER BETWEEN W2 & W3 AT AIR HANDLER. IF USED, ODT-B MUST BE MOUNTED REMOTE OF CONTROL BOX IN AN APPROVED WEATHER PROOF ENCLOSURE.
2. IF ODT-A IS NOT USED, ADD JUMPER BETWEEN W1 & W2 AT AIR HANDLER.
3. LOW VOLTAGE (24 V.) FIELD WIRING MUST BE 18 AWG MIN.

<p>⚠ WARNING HAZARDOUS VOLTAGE! DISCONNECT ALL ELECTRIC POWER INCLUDING REMOTE DISCONNECTS BEFORE SERVICING. FAILURE TO DISCONNECT POWER BEFORE SERVICING CAN CAUSE SEVERE PERSONAL INJURY OR DEATH!</p>	<p>⚠ CAUTION USE COPPER CONDUCTORS ONLY! UNIT TERMINALS ARE NOT DESIGNED TO ACCEPT OTHER TYPES OF CONDUCTORS. FAILURE TO DO SO MAY CAUSE DAMAGE TO THE EQUIPMENT!</p>
---	--

FOR CANADIAN INSTALLATIONS
POUR INSTALLATIONS CANADIENNES

CAUTION: NOT SUITABLE FOR USE ON SYSTEMS EXCEEDING 150V-TO-GROUND.
ATTENTION: NE CONVIENT PAS AUX INSTALLATIONS DE PLUS DE 150 V A LA TERRE.



NOTES:

1. IF ODT-B IS NOT USED, ADD JUMPER BETWEEN W2 & W3 AT AIR HANDLER. IF USED, ODT-B MUST BE MOUNTED REMOTE OF CONTROL BOX IN AN APPROVED WEATHER PROOF ENCLOSURE.
2. IF ODT-A IS NOT USED, ADD JUMPER BETWEEN W1 & W2 AT AIR HANDLER.
3. LOW VOLTAGE (24 V.) FIELD WIRING MUST BE 18 AWG MIN.

<p>⚠ WARNING HAZARDOUS VOLTAGE! DISCONNECT ALL ELECTRIC POWER INCLUDING REMOTE DISCONNECTS BEFORE SERVICING. FAILURE TO DISCONNECT POWER BEFORE SERVICING CAN CAUSE SEVERE PERSONAL INJURY OR DEATH!</p>	<p>⚠ CAUTION USE COPPER CONDUCTORS ONLY! UNIT TERMINALS ARE NOT DESIGNED TO ACCEPT OTHER TYPES OF CONDUCTORS. FAILURE TO DO SO MAY CAUSE DAMAGE TO THE EQUIPMENT!</p>
---	--



FOR CANADIAN INSTALLATIONS
POUR INSTALLATIONS CANADIENNES

CAUTION: NOT SUITABLE FOR USE ON SYSTEMS EXCEEDING 150V-TO-GROUND.
ATTENTION: NE CONVIENT PAS AUX INSTALLATIONS DE PLUS DE 150 V A LA TERRE.






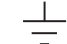




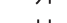





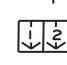
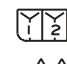



Electrical Data

SCHEMATIC DIAGRAMS

LEGEND

	COLOR OF WIRE				
BK/BL	BLACK WIRE WITH BLUE MARKER				
	COLOR OF MARKER				
BK	BLACK	OR	ORANGE	YL	YELLOW
BL	BLUE	RD	RED	GR	GREEN
BR	BROWN	WH	WHITE	PR	PURPLE

SYMBOL

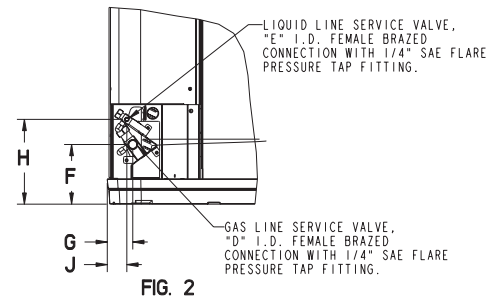
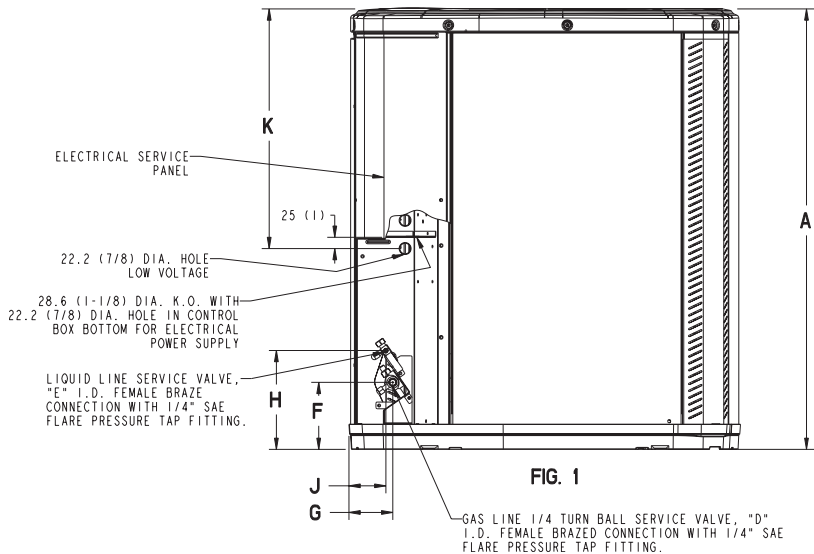
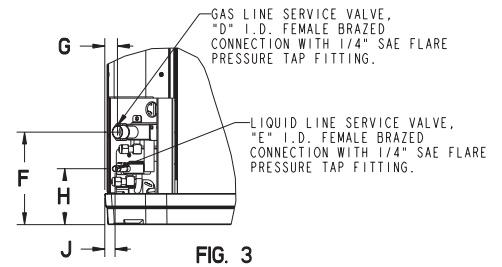
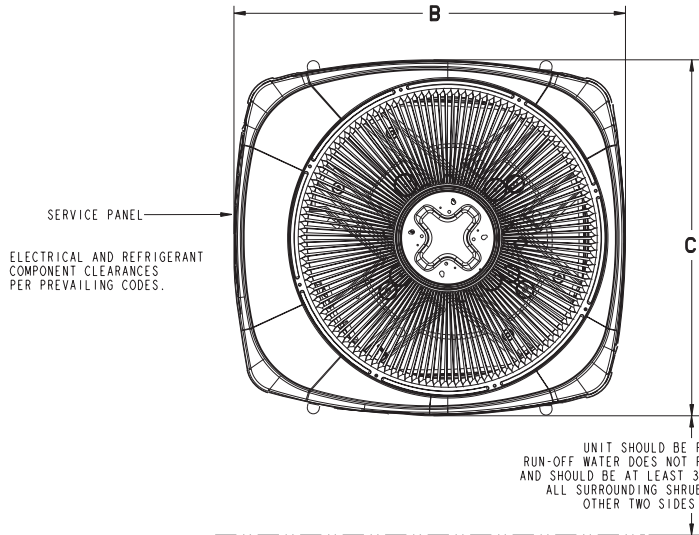
	24 V.	}	FACTORY WIRING
	LINE V.		
	24 V.	}	FIELD WIRING
	LINE V.		
	FIELD INSTALLED FACTORY WIRING		
	GROUND		
	JUNCTION		
	WIRE NUT OR CONNECTOR		
	COIL		
	CAPACITOR		
	RELAY CONTACT (N.O.)		
	RELAY CONTACT (N.C.)		
	THERMISTOR		
	INTERNAL OVERLOAD PROTECTOR		
	PRESSURE ACTUATED SWITCH		
	TEMP. ACTUATED SWITCH		
	POL. PLUG FEMALE HOUSING (MALE TERM.)		
	POL. PLUG MALE HOUSING (FEMALE TERM.)		
	RESISTOR OR HEATING ELEMENT		
	MOTOR WINDING		
	TERMINAL		

CA	COOLING ANTICIPATOR	LPCO	LOW PRESSURE CUTOUT SW.
CBS	COIL BOTTOM SENSOR	MS	COMPRESSOR MOTOR CONTACTOR
CF	FAN CAPACITOR	ODA	OUTDOOR ANTICIPATOR
CN	WIRE CONNECTOR	OFT	OUTDOOR FAN THERMOSTAT
CPR	COMPRESSOR	ODS	OUTDOOR TEMPERATURE SENSOR
CR	RUN CAPACITOR	ODT	OUTDOOR THERMOSTAT
CS	STARTING CAPACITOR	RHS	RESISTANCE HEAT SWITCH
CSR	CAPACITOR SWITCHING RELAY	SC	SWITCHOVER VALVE SOLENOID
DFC	DEFROST CONTROL	SM	SYSTEM "ON-OFF" SWITCH
F	INDOOR FAN RELAY	TDL	DISCHARGE LINE THERMOSTAT
HA	HEATING ANTICIPATOR	TNS	TRANSFORMER
HPCO	HIGH PRESSURE CUTOUT SW.	TS	HEATING-COOLING THERMOSTAT
IOL	INTERNAL OVERLOAD PROTECTOR	TSH	HEATING THERMOSTAT

Dimensions

2TTB0 OUTLINE DRAWING

NOTE: ALL DIMENSIONS ARE IN MM (INCHES)



MODELS	BASE	FIG.	A	B	C	D	E	F	G	H	J	K
2TTB0030A	2	2	651 (25-5/8)	724 (28-1/2)	651 (25-5/8)	3/4	5/16	127 (5)	57 (2 1/4)	181 (7-1/8)	44 (1-3/4)	457 (18)
2TTB0036A	2	2	651 (25-5/8)	724 (28-1/2)	651 (25-5/8)	7/8	3/8	127 (5)	57 (2-1/4)	181 (7-1/8)	44 (1-3/4)	457 (18)
2TTB0042A	2	2	730 (28-3/4)	724 (28-1/2)	651 (25-5/8)	7/8	3/8	137 (5-3/8)	65 (2-5/8)	210 (8-1/4)	57 (2-1/4)	457 (18)
2TTB0048A	2	2	730 (28-3/4)	724 (28-1/2)	651 (25-5/8)	1-1/8	3/8	137 (5-3/8)	65 (2-5/8)	210 (8-1/4)	57 (2-1/4)	457 (18)
2TTB0060A	3	1	832 (32-3/4)	829 (32-5/8)	756 (29-3/4)	1-1/8	3/8	143 (5-5/8)	92 (3-5/8)	210 (8-1/4)	79 (3-1/8)	508 (20)

From Dwg. 21D153074 Rev. 5



Mechanical Specification Options

General

The 2TTB0 shall be fully charged from the factory for matched indoor section and up to 15 feet of piping. This unit must be designed to operate at outdoor ambient temperatures as high as 115°F. Cooling capacities shall be matched with a wide selection of air handlers and furnace coils that are A.R.I. certified. The unit shall be UL listed. Exterior must be designed for outdoor application.

Casing

Unit casing is constructed of heavy gauge, galvanized steel and painted with a weather-resistant powder paint. Corrosion and weatherproof CMBP-G30 Duratuff™ base.

Refrigerant Controls

Refrigeration system controls include condenser fan and compressor contactor. Another standard feature is the liquid line dryer.

Compressor

The Climatuff® compressor features internal over temperature and pressure protector, total dipped hermetic motor and thermostatically controlled sump heater. Other features include: roto lock suction and discharge refrigeration connections, centrifugal oil pump, and low vibration and noise. The Climatuff® compressor is standard with a 5 year limited warranty.

Condenser Coil

The Spine Fin™ coil shall be continuously wrapped, corrosion resistant all aluminum with minimum brazed joints. This coil is 3/8 inch O.D. seamless aluminum glued to a continuous aluminum fin. Coils are lab tested to withstand 2,000 pounds of pressure per square inch. The outdoor coil provides low airflow resistance and efficient heat transfer. The coil is protected on all four sides by louvered panels and has a 5 year limited warranty.

Low Ambient Cooling

As manufactured, this unit has a cooling capability to 55°F. The addition of an evaporator defrost control permits operation to 40°F. The addition of an evaporator defrost control with TXV permits low ambient cooling to 30°F.

Accessories

Thermostats — Heating/Cooling (manual and automatic changeover). Sub-base to match thermostat and locking thermostat cover.

Evaporator Defrost Control — See Low Ambient Cooling.

Outdoor Thermostat — Supplemental heat outdoor ambient lockout from 46 to -10°F.

Notes



A series of horizontal lines for writing notes, starting below the thick line and extending to the bottom of the page.



The Trane Company
An American Standard Company
www.trane.com

Literature Order Number	SS-PRC012-EN	P.I.
File Number	—	
Supersedes	New	
Stocking Location	PI Louisville & Inland-LaCrosse	4/02

Since The Trane Company has a policy of continuous product and product data improvement, it reserves the right to change design and specifications without notice.