



SUBMITTAL DATA: 4MXW8536A1 - 4TXK8536A1

32,000 BTU/H Heat Pump System

Job Name: _____ Location: _____ Date: _____
 Purchaser: _____ Engineer: _____
 Submitted to: _____ For Reference Approval Construction
 Unit Designation: _____ Schedule No.: _____

SPECIFICATIONS

COOLING

Rated Capacity @95F 32000(Btu/h)
 Minimum Capacity 7400(Btu/h)
 Maximum Capacity 36000(Btu/h)
 SEER 16

HEATING

Rated Capacity @47F 32500(Btu/h)
 Rated Capacity @17F 19400(Btu/h)
 Minimum Capacity 15000(Btu/h)
 Maximum Capacity 36000(Btu/h)
 HSPF 7.8

ELECTRICAL CHARACTERISTICS

Power Supply 208-230V
 Breaker Size 25A
 RLA Cooling/Heating (Amps) 16.4A / 17.3A
 Controls Wireless

INDOOR UNIT

Airflow (Low/Med/High)
 Cooling (wet coil) 1150/1200/1400(m³/h)
 Heating (dry coil) 1150/1200/1400(m³/h)
 Noise Level dB(A) (Low/Med/High) 53/56/59
 Fan Motor Amps 0.47

OUTDOOR UNIT

Compressor Rotary
 MCA 18.4A
 Noise Level dB(A) ≤65

DIMENSIONAL DATA

	<u>OUTDOOR</u>	<u>INDOOR</u>
Height	790mm	326mm
Width	980mm	1350mm
Depth	427mm	253mm
Net Weight	73kg	20kg

MISCELLANEOUS

Refrigerant Type R-410A
 Refrigerant Connections
 Gas Line Φ16(5/8")
 Liquid Line Φ6(1/4")
 Drain Hose Size
 Length 1050mm
 Diameter Φ28mm
 Maximum Refrigerant Line Length 40m
 Maximum Refrigerant Line Height Diff. 20m
 Additional Refrigerant 50g/m

GENERAL FEATURES

Coil type (AL/CU) Aluminum fin-copper tube
 Filters Active Carbon and Catechin Filters
 Operating Range (outdoor ambient) Cooling mode: From 64 to 118 °F
 Heating mode: from 5 to 75 °F
 Auto restart 3 mins
 Expansion Device Capillary



Indoor Unit: 4MXW8536A1



Outdoor Unit: 4TXK8536A1

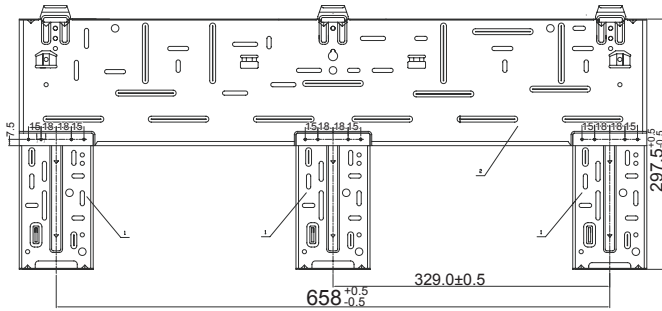
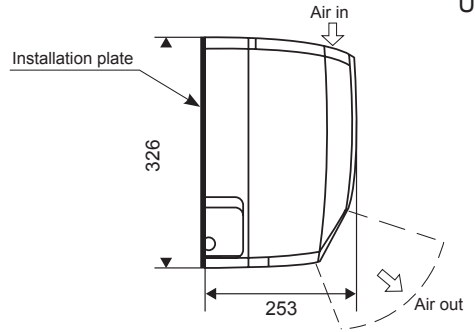
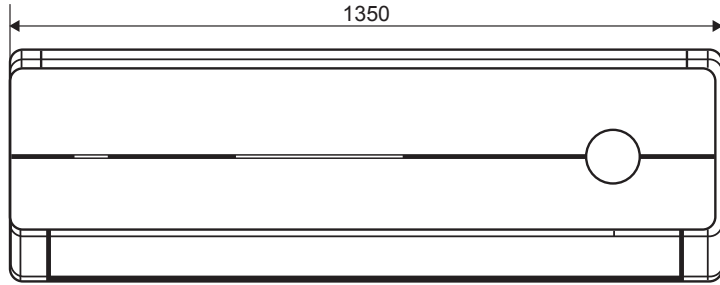


Remote Controller

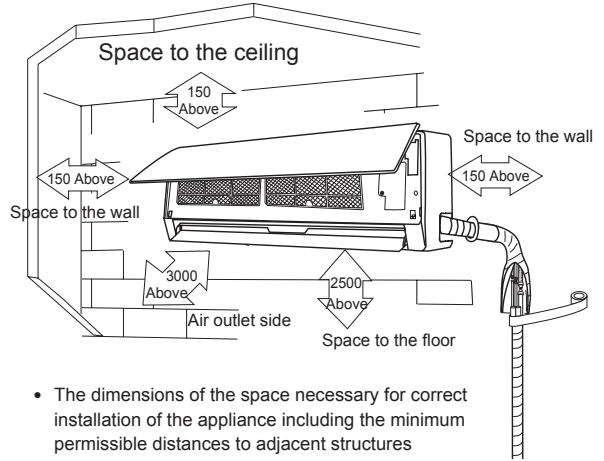
DIMENSIONS: 4MXW8536A1 - 4TXK8536A1

4MXW8536A1

Unit: mm

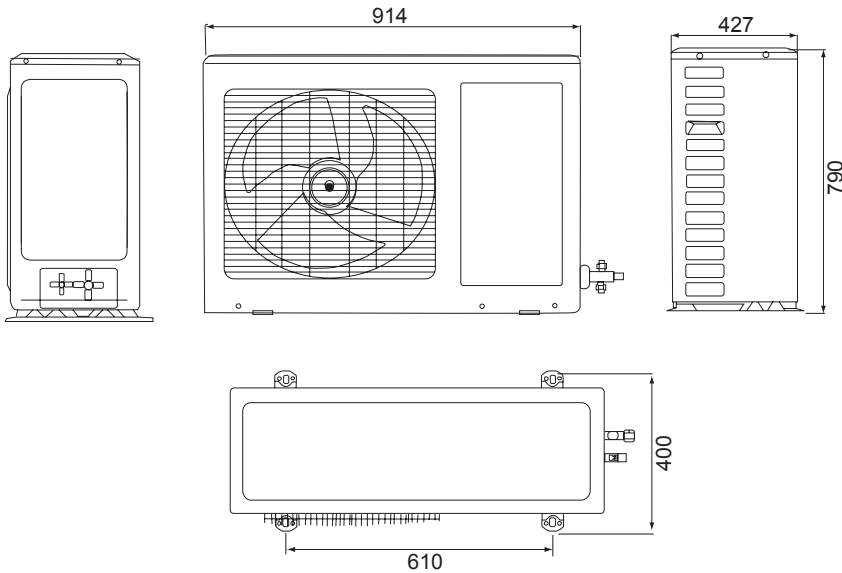


Installation plate

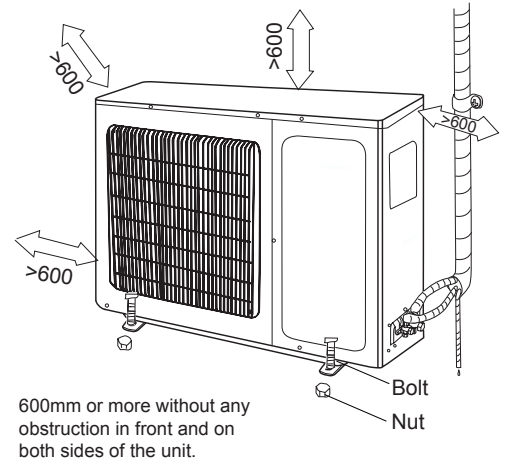


4TXK8536A1

Unit: mm



REQUIRED SPACE



Trane optimizes the performance of homes and buildings around the world. A business of Ingersoll Rand, the leader in creating and sustaining safe, comfortable and energy efficient environments, Trane offers a broad portfolio of advanced controls and HVAC systems, comprehensive building services, and parts. For more information, visit www.trane.com.